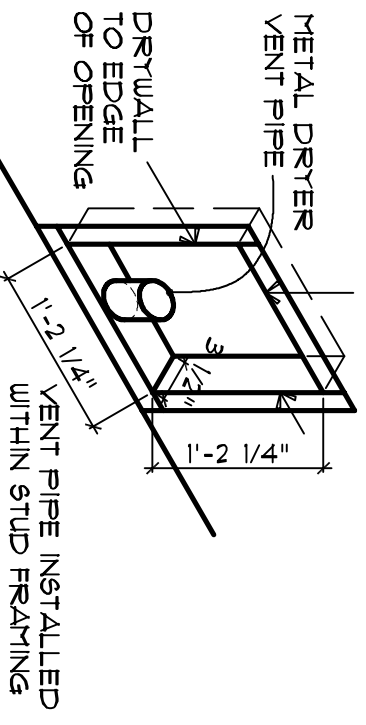
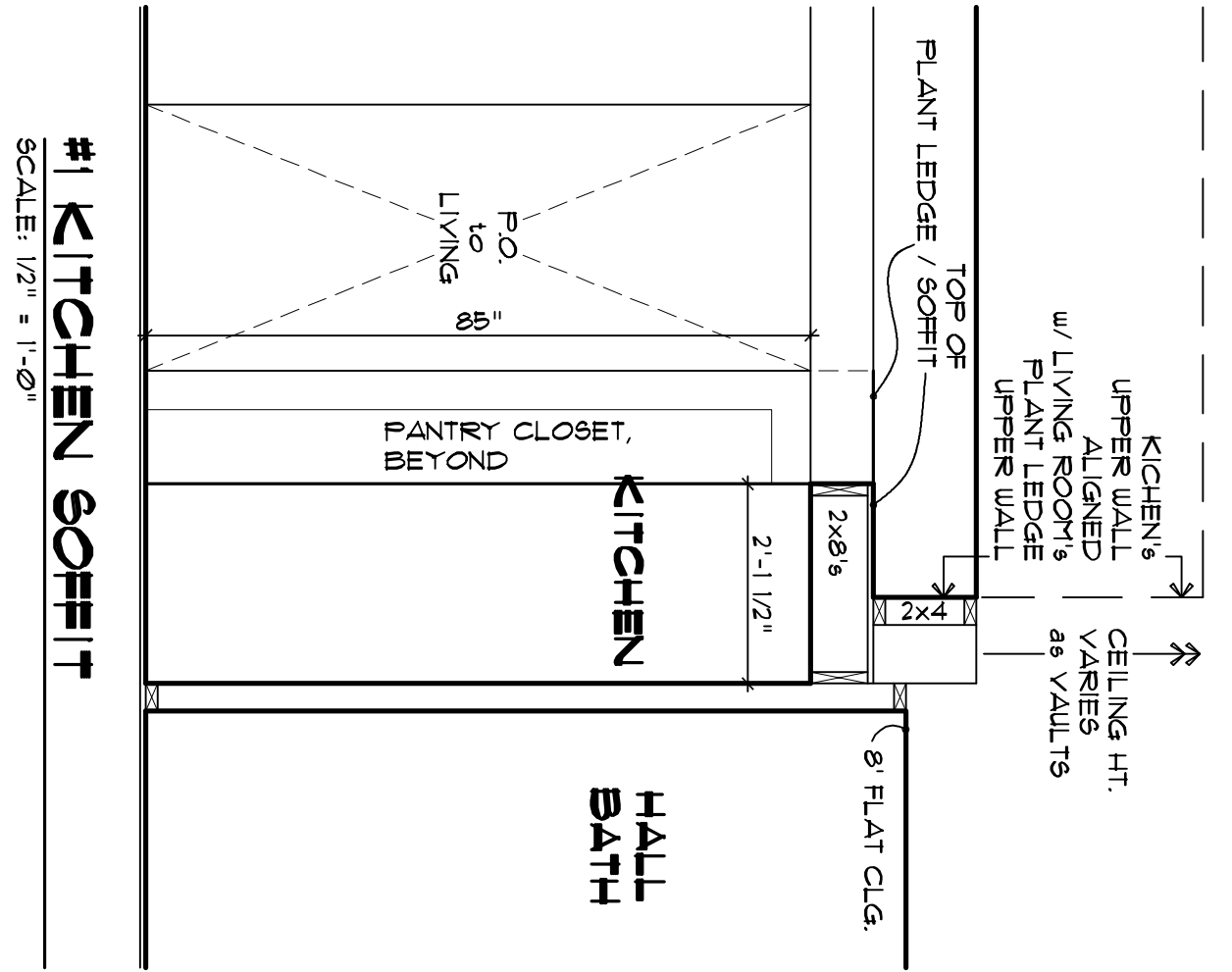


Villamere

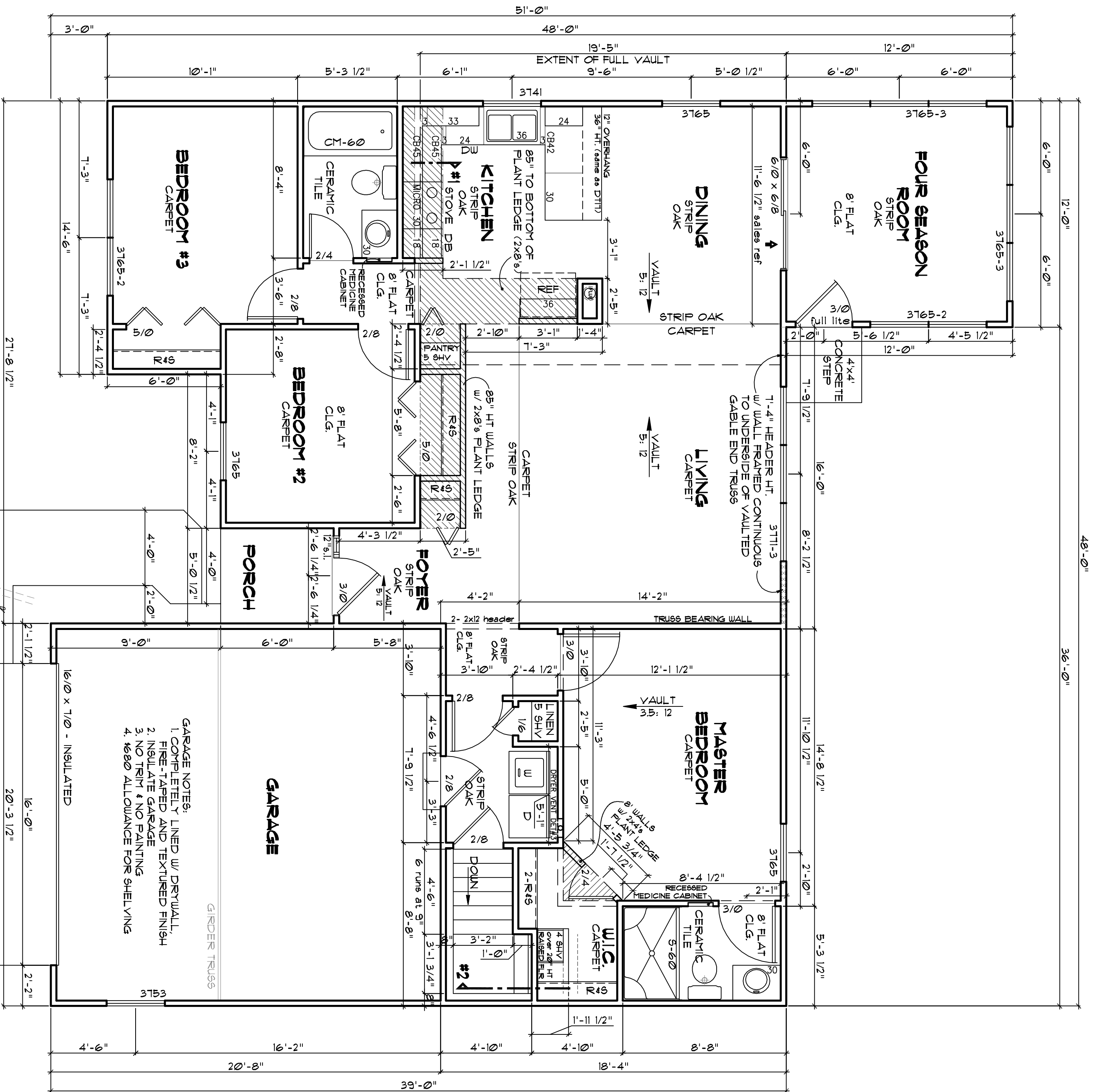
Condominiums

THE TATEN





#3 DRYER VENT DETAIL
SCALE: N.T.S.



FLOOR PLAN
SCALE: 1/4" = 1'-0"

1,406 SF

CUSTOMER ACCEPTANCE

DATE

THESE DRAWINGS ARE THE PROPERTY OF GARDEN HOMES BY E.L., INC.
UNAUTHORIZED DUPLICATION IS FORBIDDEN BY COPYRIGHT LAWS
© E. LEROY YODER 2005

UPP RESIDENCE
FLOOR PLAN

DRAWN BY: DAR
DATE: 2/10/06
FILE: VC12 UPP taten

REVISIONS



17874 STATE ROAD 23
SOUTH BEND, IN 46635
PHONE: 574-277-3500
800-403-0877
FAX: 574-271-8009

APPROVED BY